

# I/P CONVERTER

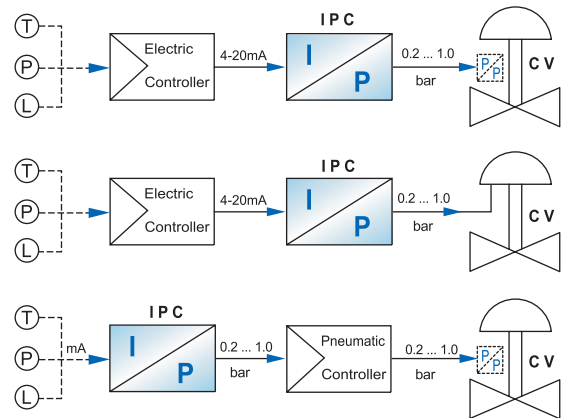
IPC

IPC is an advanced two-wire I/P converter with piezoelectric technology which produces a pressure output signal directly proportional to 4...20mA input signal and guarantees excellent accuracy, high reliability, and stable long life for the valve

## FEATURES

- Precise control performance and high dynamic response
- Simple and easy to set
- Pressure regulator built in to eliminate variations in supply air pressure
- Low air consumption due to piezo electric microvalve
- Explosion proof type (please contact for details)

## APPLICATIONS



Ⓣ Temp. Transmitter Ⓟ Press. Transmitter Ⓛ Level Transmitter

IPC : I/P Converter, CV : Pneumatic Control Valve

## SPECIFICATIONS

Input Signal	4 ~ 20mA / 24V DC, 2-wire
Output Pressure	0...1.0bar (0...15psi) 0.2...1.0bar (3...15psi) 0.4...2.0bar (6...30psi) 0.2...3.0bar (3...45psi)
Output Characteristics	Linear to input signal
Action	Direct
Total Error	Max. error $\pm$ 0.3% of span (linearity + hysteresis + repeatability)
Air Supply	Filtered compressed dry and non-oiled air (to 5 micron) 1.5 to 3.5bar
Pneumatic Connection	1/8" NPT female
Operating Temperature	-20 to 70
Protection Class	IP55
Impedance	425 ohms at 20mA
Mounting	Rail (according to DIN EN 50022)
Electrical Connection	PG 9
Body and Cover Material	Aluminum diecast
Weight	820 g



- IPC -

## HOW TO ORDER

Output Pressure	Air Supply	Order Code
0...1.0bar (0...15psi)	1.5bar (23psi)	IPC-01
0.2...1.0bar (3...15psi)	1.5bar (23psi)	IPC-21
0.4...2.0bar (6...30psi)	2.5bar (38psi)	IPC-42
0.2...3.0bar (3...45psi)	3.5bar (53psi)	IPC-23
Other Pressure		On request

